

# SERVICEANLEITUNG

SCHALTUNGSDIENST LANGE o.H.G.

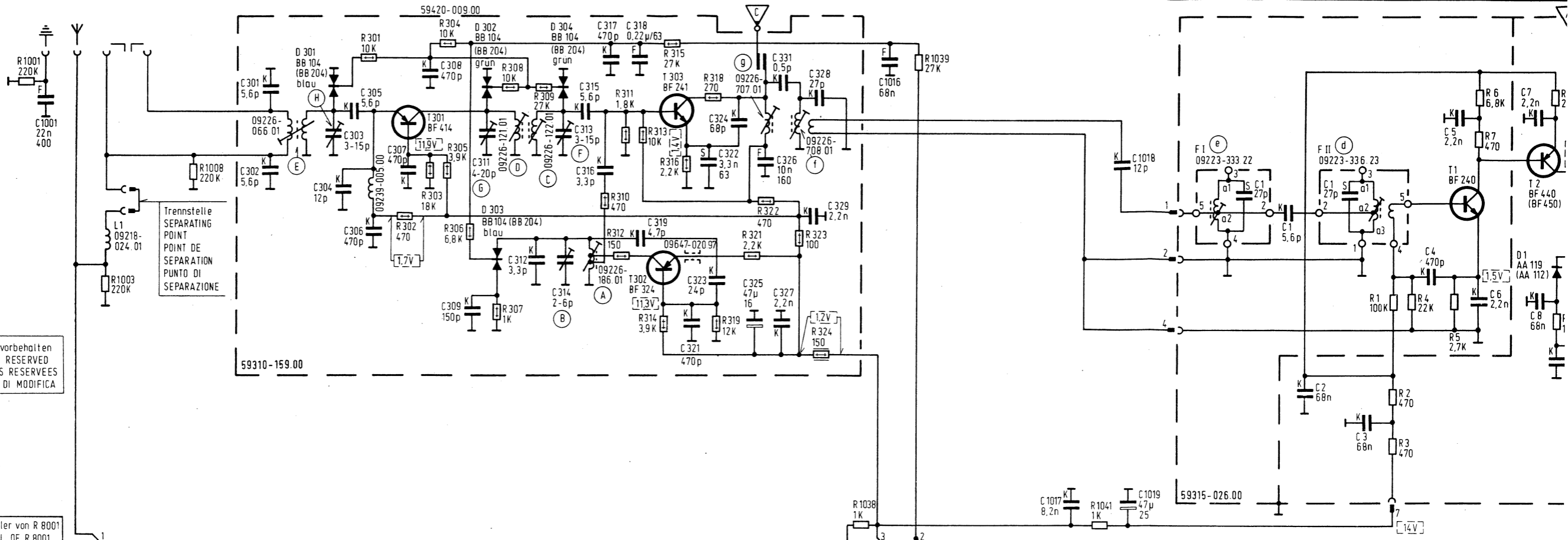
## GRUNDIG

### RPC 400

HIFI STUDIO

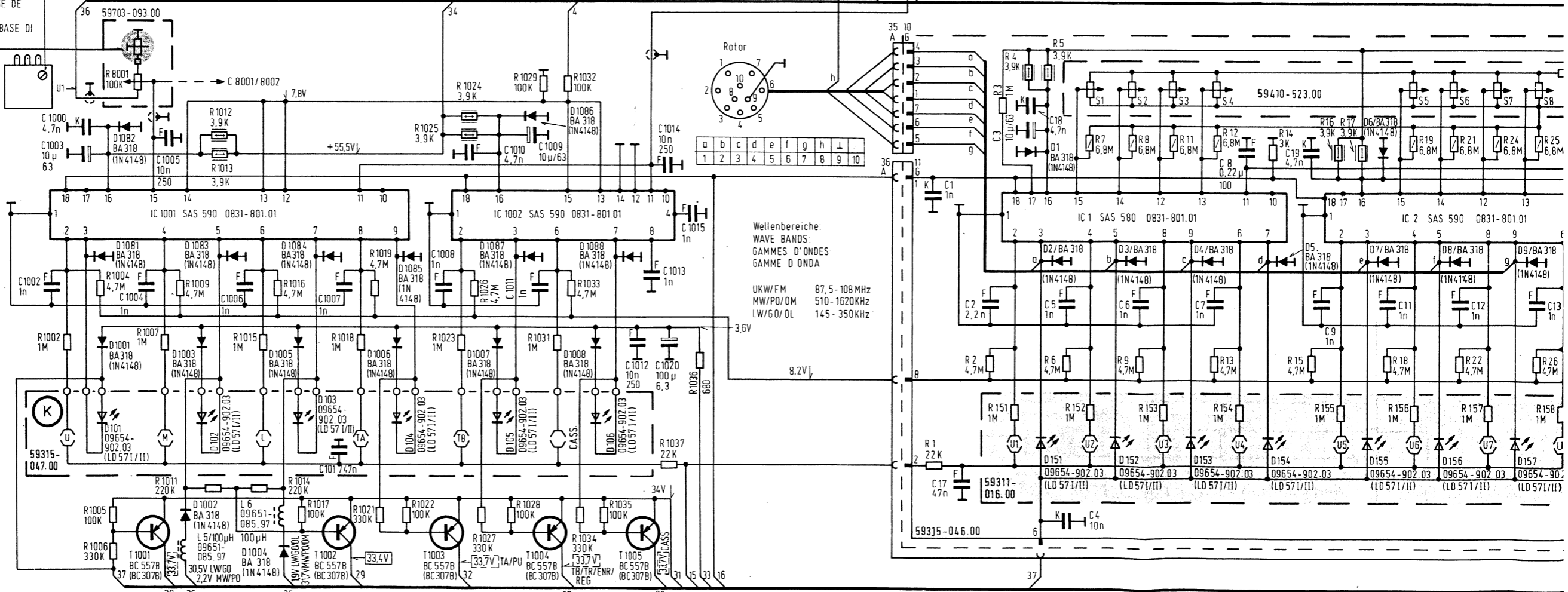
LFDNR 755

FACH 1545



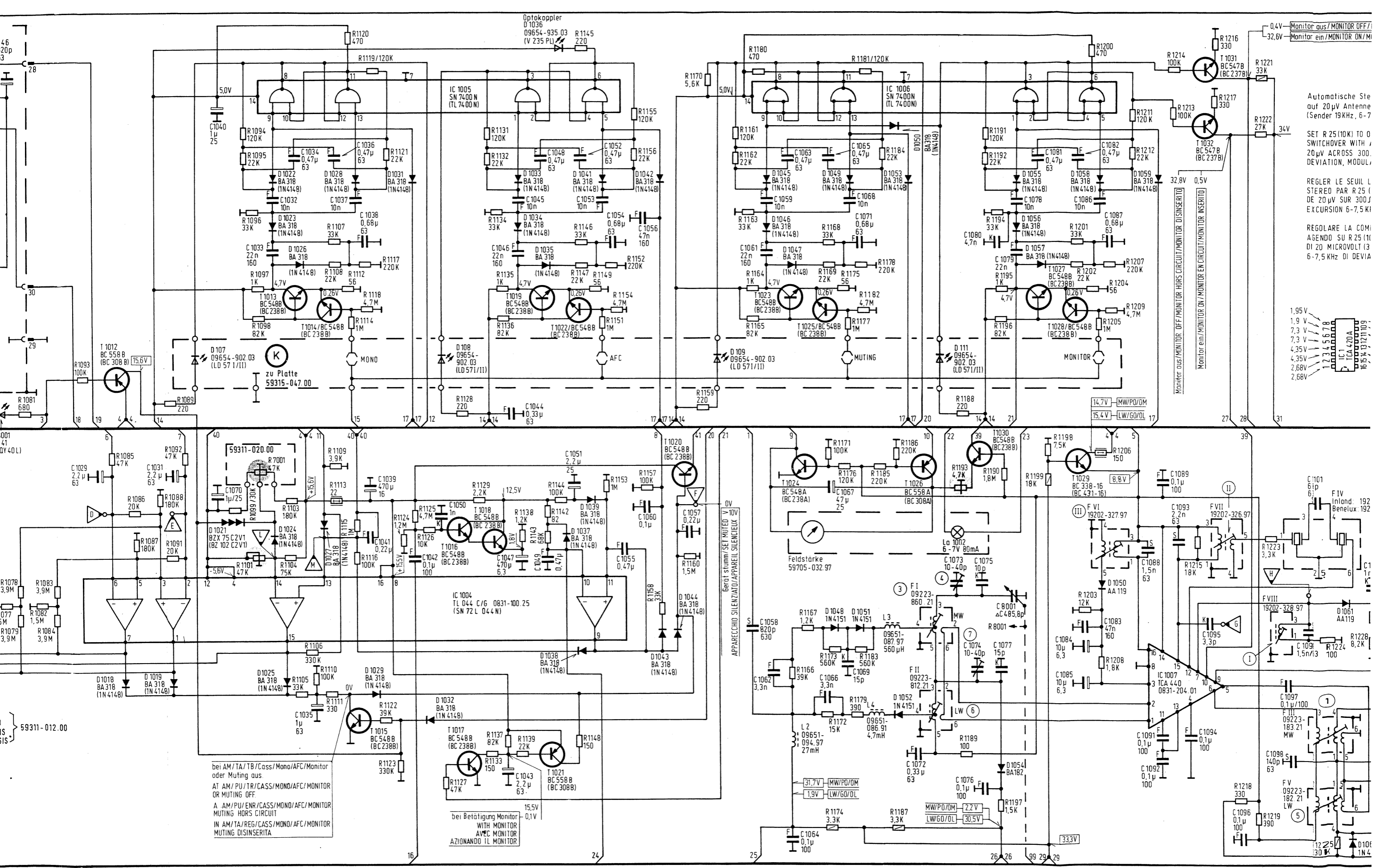
Anderungen vorbehalten  
ALTERATIONS RESERVED  
MODIFICATIONS RESERVEES  
CON RISERVA DI MODIFICA

Fußpunktregler von R 8001  
BASE CONTROL OF R 8001  
REGLAGE DE BASE DE  
R 8001  
REGOLAZIONE DI BASE DI  
R 8001

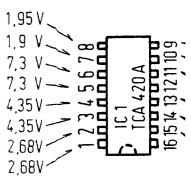


C	1001, 1002, 1000, 1003,	1004, 1005,	301, 302, 1006,	303, 305, 306, 304, 1007,	307, 308, 1001,	309, 311, 1008, 1010,	312, 1009, 313, 315, 317, 1011, 314, 316,	318, 1012, 321, 322, 319, 1013, 1014, 323, 1020, 1015,	324, 326, 331, 325, 327,	328, 329,	1016,	1, 17, 2, 3, 1017, 1018, 1019, 6, 5, 4,	7, 8,	19, 9,	11, 12,	13,
R	1001, 1005, 1006,	8001, 1007, 1008, 1009, 1013, 1014,	1011, 1012, 1015, 1016, 1017,	301, 1018, 302, 303, 304, 306, 307, 308, 309, 1029, 1031, 1032, 310, 1033, 312, 1025, 1027, 1034, 1035,	1019, 1021, 1022, 305, 1023, 1024, 1026, 1028,	311, 313, 314, 1036, 318, 310, 1033, 312, 1034, 1035,	321, 322, 323, 324,	1038, 1039, 1, 2, 3, 151, 4, 5, 6, 1041, 7, 152,	8, 9, 11, 12, 153, 13, 154,	14, 15, 155, 16, 17, 18, 156, 19,	21, 157, 24, 25, 26,					





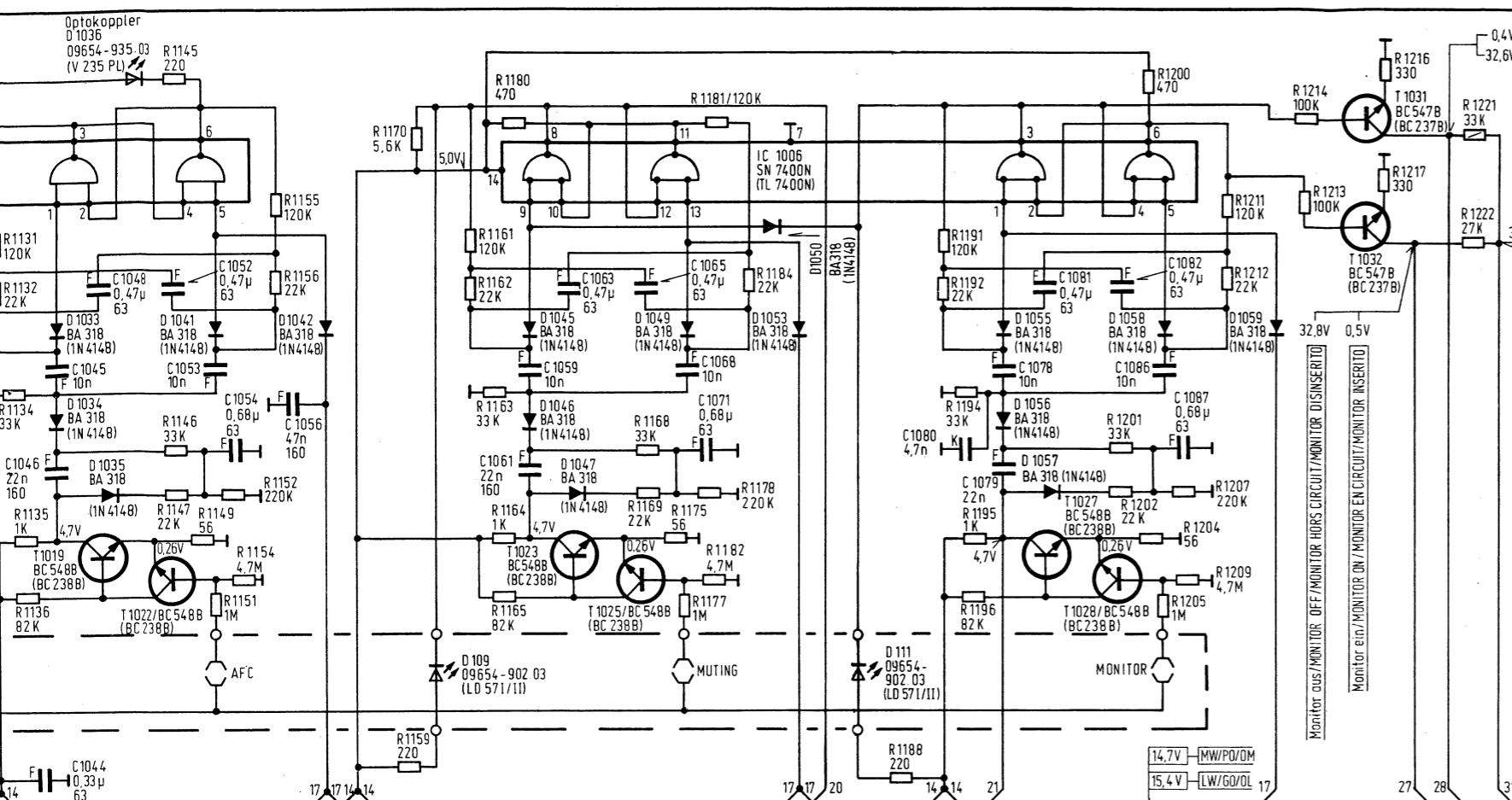
Automatische Ste auf 20µV Antenne (Sender 19KHz, 6-7  
 SET R 25 (10K) TO 0 SWITCHOVER WITH / 20µV ACROSS 300. DEVIATION, MODUL.  
 REGLER LE SEUIL L STEREO PAR R 25 ( DE 20µV SUR 300J EXCURSION 6-7,5 KI  
 REGOLARE LA COMI AGENDO SU R 25 ( DI 20 MICROVOLT (3 6-7,5 KHz DI DEVA



bei AM/TA/TB/Cass/Mono/AFC/Monitor oder Muting aus  
 AT AM/PU/TR/CASS/MONO/AFC/MONITOR OR MUTING OFF  
 A AM/PU/ENR/CASS/MONO/AFC/MONITOR MUTING HORS CIRCUIT  
 IN AM/TA/REG/CASS/MONO/AFC/MONITOR MUTING DISINSERITA

bei Betätigung Monitor WITH MONITOR AVEC MONITOR AZIONANDO IL MONITOR

1029,	1031,	1040,	1032,	1034,	1035,	1036,	1037,	1038,	1042,	1050,	1044,	1045,	1048,	1052,	1053,	1055,	1056,	1057,	1058,	1059,	1063,	1065,	1068,	1071,	1072,	1073,	1075,	1080,	1078,	1081,	1082,	1083,	1086,	1088,	1089,	1093,	1094,	1095,	1096,	1097,	1098,	1099,	1101,	1102,	1103,	1104,	1105,	1106,	1107,	1109,	1112,	1119,	1121,	1124,	1125,	1126,	1128,	1131,	1134,	1133,	1139,	1142,	1144,	1146,	1149,	1152,	1155,	1158,	1160,	1170,	1161,	1163,	1180,	1166,	1167,	1168,	1173,	1175,	1178,	1181,	1186,	1188,	1191,	1194,	1197,	1198,	1201,	1204,	1207,	1211,	1214,	1215,	1216,	1218,	1221,	1223,	1224,	1225,	1226,	1227,	1228,	1229,	1230,	1231,	1232,	1233,	1234,	1235,	1236,	1237,	1238,	1239,	1240,	1241,	1242,	1243,	1244,	1245,	1246,	1247,	1248,	1249,	1250,	1251,	1252,	1253,	1254,	1255,	1256,	1257,	1258,	1259,	1260,	1261,	1262,	1263,	1264,	1265,	1266,	1267,	1268,	1269,	1270,	1271,	1272,	1273,	1274,	1275,	1276,	1277,	1278,	1279,	1280,	1281,	1282,	1283,	1284,	1285,	1286,	1287,	1288,	1289,	1290,	1291,	1292,	1293,	1294,	1295,	1296,	1297,	1298,	1299,	1300,	1301,	1302,	1303,	1304,	1305,	1306,	1307,	1308,	1309,	1310,	1311,	1312,	1313,	1314,	1315,	1316,	1317,	1318,	1319,	1320,	1321,	1322,	1323,	1324,	1325,	1326,	1327,	1328,	1329,	1330,	1331,	1332,	1333,	1334,	1335,	1336,	1337,	1338,	1339,	1340,	1341,	1342,	1343,	1344,	1345,	1346,	1347,	1348,	1349,	1350,	1351,	1352,	1353,	1354,	1355,	1356,	1357,	1358,	1359,	1360,	1361,	1362,	1363,	1364,	1365,	1366,	1367,	1368,	1369,	1370,	1371,	1372,	1373,	1374,	1375,	1376,	1377,	1378,	1379,	1380,	1381,	1382,	1383,	1384,	1385,	1386,	1387,	1388,	1389,	1390,	1391,	1392,	1393,	1394,	1395,	1396,	1397,	1398,	1399,	1400,	1401,	1402,	1403,	1404,	1405,	1406,	1407,	1408,	1409,	1410,	1411,	1412,	1413,	1414,	1415,	1416,	1417,	1418,	1419,	1420,	1421,	1422,	1423,	1424,	1425,	1426,	1427,	1428,	1429,	1430,	1431,	1432,	1433,	1434,	1435,	1436,	1437,	1438,	1439,	1440,	1441,	1442,	1443,	1444,	1445,	1446,	1447,	1448,	1449,	1450,	1451,	1452,	1453,	1454,	1455,	1456,	1457,	1458,	1459,	1460,	1461,	1462,	1463,	1464,	1465,	1466,	1467,	1468,	1469,	1470,	1471,	1472,	1473,	1474,	1475,	1476,	1477,	1478,	1479,	1480,	1481,	1482,	1483,	1484,	1485,	1486,	1487,	1488,	1489,	1490,	1491,	1492,	1493,	1494,	1495,	1496,	1497,	1498,	1499,	1500,
-------	-------	-------	-------	-------	-------	-------	-------	-------	-------	-------	-------	-------	-------	-------	-------	-------	-------	-------	-------	-------	-------	-------	-------	-------	-------	-------	-------	-------	-------	-------	-------	-------	-------	-------	-------	-------	-------	-------	-------	-------	-------	-------	-------	-------	-------	-------	-------	-------	-------	-------	-------	-------	-------	-------	-------	-------	-------	-------	-------	-------	-------	-------	-------	-------	-------	-------	-------	-------	-------	-------	-------	-------	-------	-------	-------	-------	-------	-------	-------	-------	-------	-------	-------	-------	-------	-------	-------	-------	-------	-------	-------	-------	-------	-------	-------	-------	-------	-------	-------	-------	-------	-------	-------	-------	-------	-------	-------	-------	-------	-------	-------	-------	-------	-------	-------	-------	-------	-------	-------	-------	-------	-------	-------	-------	-------	-------	-------	-------	-------	-------	-------	-------	-------	-------	-------	-------	-------	-------	-------	-------	-------	-------	-------	-------	-------	-------	-------	-------	-------	-------	-------	-------	-------	-------	-------	-------	-------	-------	-------	-------	-------	-------	-------	-------	-------	-------	-------	-------	-------	-------	-------	-------	-------	-------	-------	-------	-------	-------	-------	-------	-------	-------	-------	-------	-------	-------	-------	-------	-------	-------	-------	-------	-------	-------	-------	-------	-------	-------	-------	-------	-------	-------	-------	-------	-------	-------	-------	-------	-------	-------	-------	-------	-------	-------	-------	-------	-------	-------	-------	-------	-------	-------	-------	-------	-------	-------	-------	-------	-------	-------	-------	-------	-------	-------	-------	-------	-------	-------	-------	-------	-------	-------	-------	-------	-------	-------	-------	-------	-------	-------	-------	-------	-------	-------	-------	-------	-------	-------	-------	-------	-------	-------	-------	-------	-------	-------	-------	-------	-------	-------	-------	-------	-------	-------	-------	-------	-------	-------	-------	-------	-------	-------	-------	-------	-------	-------	-------	-------	-------	-------	-------	-------	-------	-------	-------	-------	-------	-------	-------	-------	-------	-------	-------	-------	-------	-------	-------	-------	-------	-------	-------	-------	-------	-------	-------	-------	-------	-------	-------	-------	-------	-------	-------	-------	-------	-------	-------	-------	-------	-------	-------	-------	-------	-------	-------	-------	-------	-------	-------	-------	-------	-------	-------	-------	-------	-------	-------	-------	-------	-------	-------	-------	-------	-------	-------	-------	-------	-------	-------	-------	-------	-------	-------	-------	-------	-------	-------	-------	-------	-------	-------	-------	-------



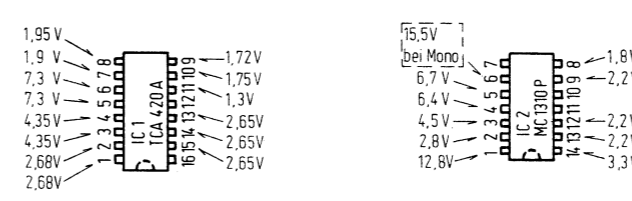
0,4V - Monitor aus / MONITOR OFF / MONITOR HORS CIRCUIT / MONITOR DISINSERITO  
 32,6V - Monitor ein / MONITOR ON / MONITOR EN CIRCUIT / MONITOR INSERITO

Automatische Stereumschaltung mit R 25 (10K) auf 20µV Antennenspannung (300Ω) einstellen. (Sender 19KHz, 6-7,5KHz Hub, moduliert)

SET R 25(10K) TO OBTAIN AUTOMATIC STEREO SWITCHOVER WITH AN AERIAL INPUT SIGNAL OF 20µV ACROSS 300Ω (TRANSMITTER 19KHz, 6-7,5KHz DEVIATION, MODULATED WITH AUDIO SIGNAL)

REGLER LE SEUIL LA COMMUTATION AUTOMATIQUE STEREO PAR R 25 (10K) POUR UNE TENSION D'ANTENNE DE 20µV SUR 300Ω (EMMETEUR MODULE 19KHz, EXCURSION 6-7,5 KHz)

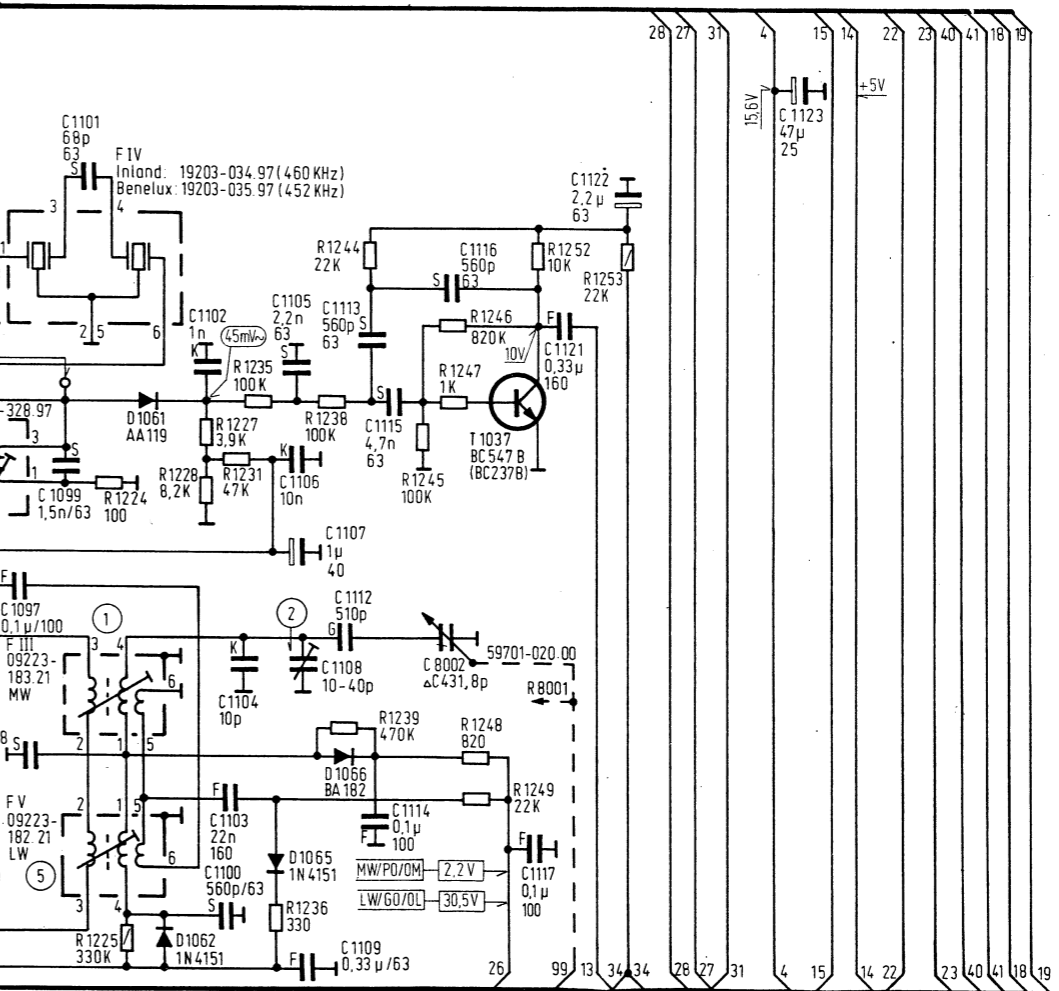
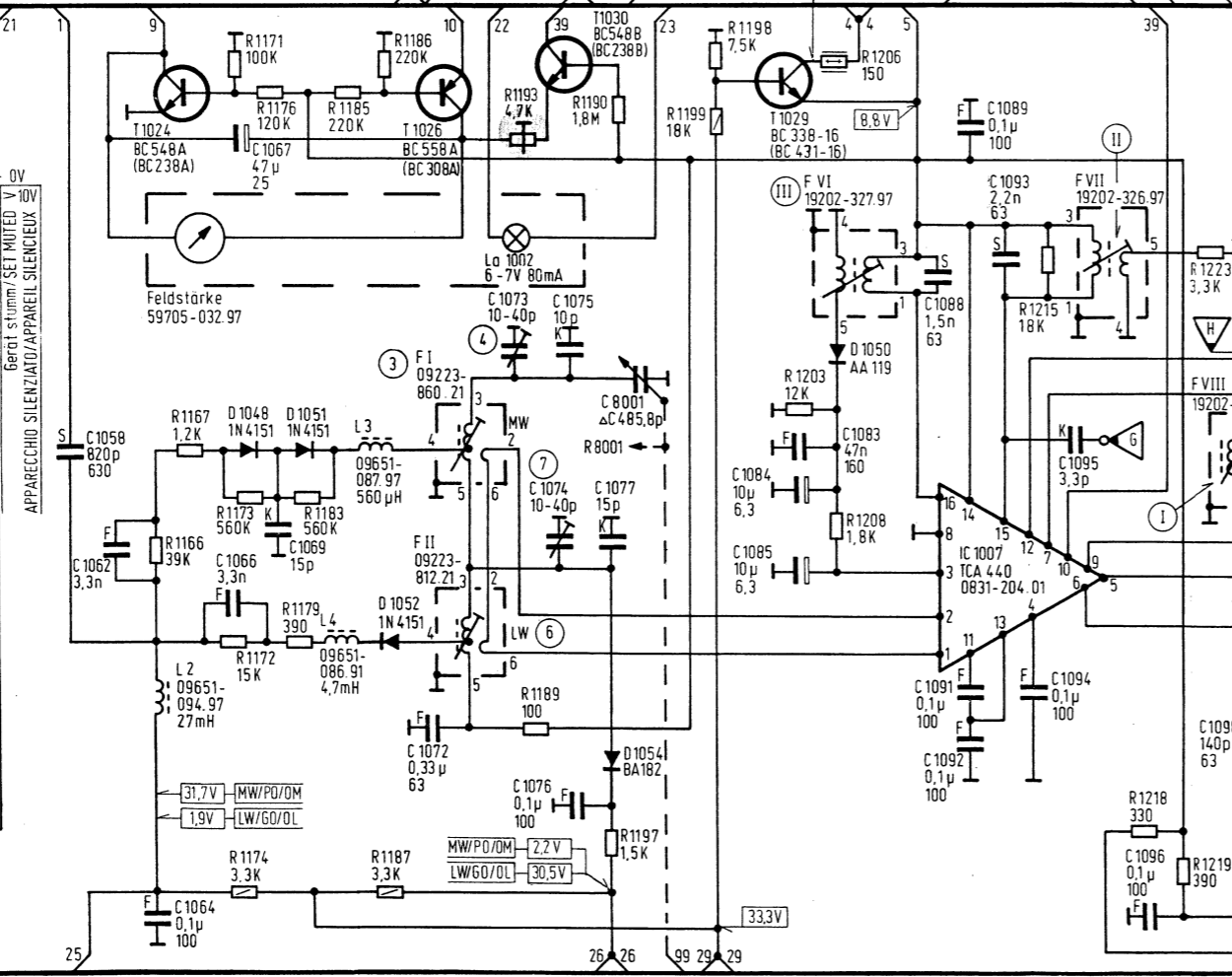
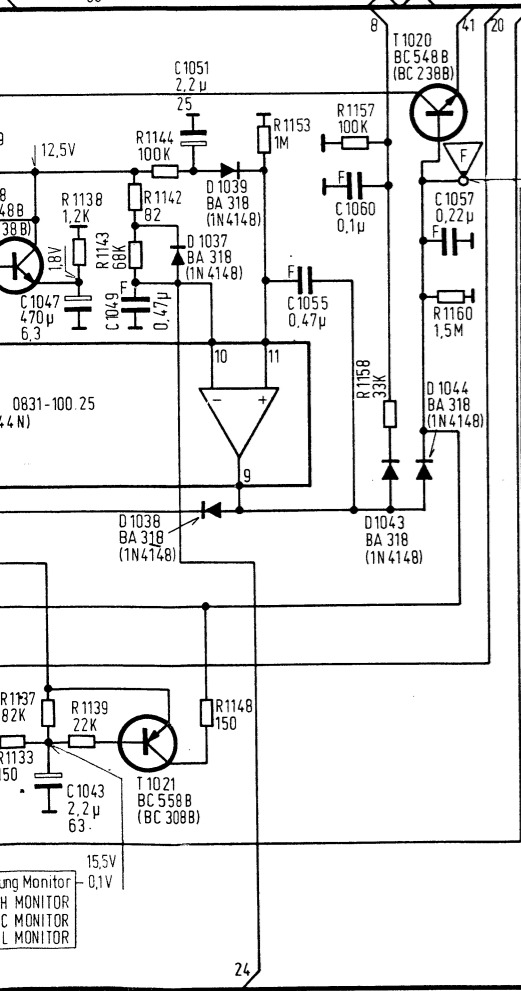
REGOLARE LA COMMUTAZIONE AUTOMATICA STEREO AGENDO SU R 25 (10K) PER UNA TENSIONI DI ANTENNA DI 20 MICROVOLT (300 Ω), (GENERATORE 19 KHz, 6-7,5 KHz DI DEVIAZIONE, MODULATO)



# HiFi-Studio RPC 400

(55511-906.01)

Blatt 1



1044, 1045, 1048, 1043, 1046, 1049, 1047,	1052, 1053, 1051, 1054, 1060,	1055, 1056, 1060,	1057,	1058, 1059, 1063, 1061, 1062, 1064,	1065, 1068, 1071, 1066, 1069, 1067,	1072,	1073,	1075, 1080, 1078, 1081, 1074, 1077, 1079, 1076, 8001,	1082, 1083, 1086, 1084, 1087, 1085,	1088, 1089, 1093, 1094, 1095, 1091, 1092,	1096,	1097, 1099, 1101, 1098,	1102, 1104, 1105, 1108, 1112, 1113, 1103, 1106, 1109, 1100, 1107, 1114,	1116, 8002,	1117, 1121, 1122,	1123,
1, 1134, 1133, 1139, 1142, 1144, 1146, 1149, 1152, 2, 1135, 1137, 9, 1136, 1138	1143, 1145, 1147, 1151, 1154, 1148, 1153, 1157,	1155, 1158, 1156,	1160, 1170, 1159,	1161, 1163, 1180, 1166, 1167, 1168, 1173, 1175, 1178, 1181, 1186, 1162, 1164, 1165,	1169, 1172, 1177, 1182, 1184, 1185, 1171, 1174, 1176, 1183, 1179, 1187,	1188, 1191, 1194, 1197, 1189, 1192, 1195, 1190, 1193, 1196,	1198, 1199,	1201, 1204, 1207, 1211, 1202, 1205, 1209, 1212, 1203, 1206, 1208, 1200,	1214, 1213,	1215, 1216, 1217,	1218, 1221, 1223, 1219,	1224, 1225,	1227, 1231, 1235, 1228,	1238, 1244, 1239,	1245, 1246, 1248, 1252, 1247, 1249,	1253,

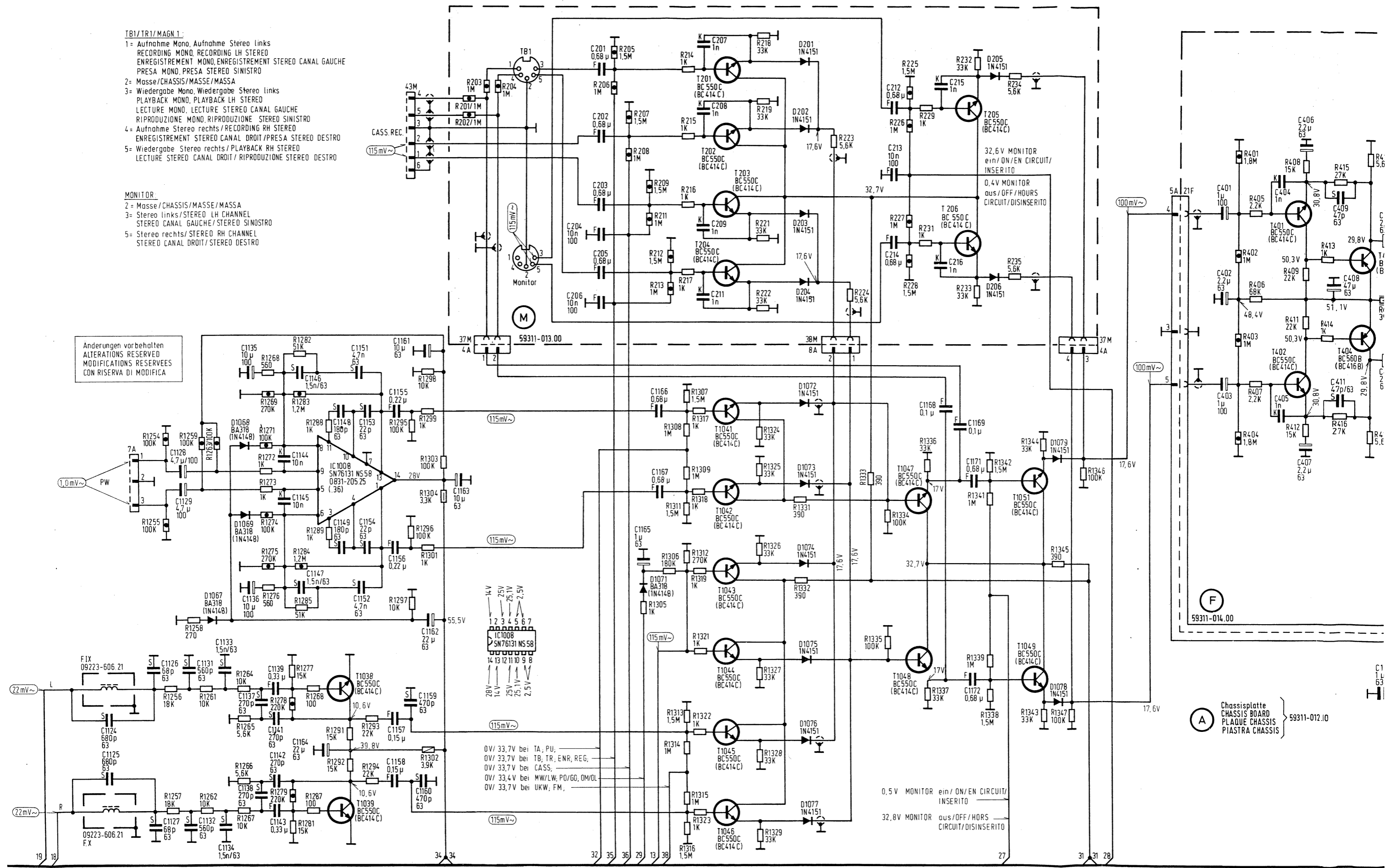
**TI/TRI/MAGN.1**

- 1= Aufnahme Mono, Aufnahme Stereo links  
RECORDING MONO, RECORDING LH STEREO  
ENREGISTREMENT MONO, ENREGISTREMENT STEREO CANAL GAUCHE  
PRESA MONO, PRESA STEREO SINISTRO
- 2= Masse/CHASSIS/MASSE/MASSA
- 3= Wiedergabe Mono, Wiedergabe Stereo links  
PLAYBACK MONO, PLAYBACK LH STEREO  
LECTURE MONO, LECTURE STEREO CANAL GAUCHE  
RIPRODUZIONE MONO, RIPRODUZIONE STEREO SINISTRO
- 4= Aufnahme Stereo rechts/RECORDING RH STEREO  
ENREGISTREMENT STEREO CANAL DROIT/PRESA STEREO DESTRO
- 5= Wiedergabe Stereo rechts/PLAYBACK RH STEREO  
LECTURE STEREO CANAL DROIT/RIPRODUZIONE STEREO DESTRO

**MONITOR**

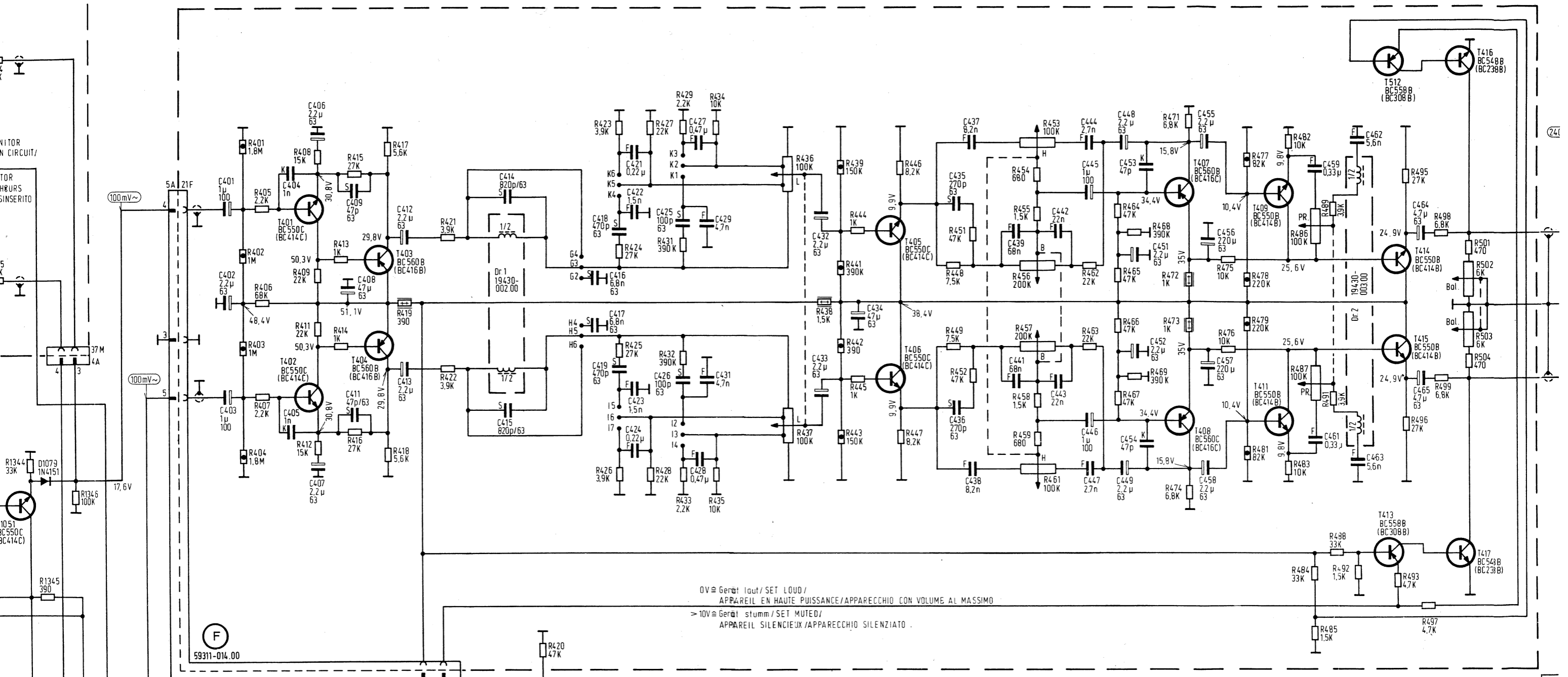
- 2= Masse/CHASSIS/MASSE/MASSA
- 3= Stereo links/STEREO LH CHANNEL  
STEREO CANAL GAUCHE/STEREO SINISTRO
- 5= Stereo rechts/STEREO RH CHANNEL  
STEREO CANAL DROIT/STEREO DESTRO

Andenerungen vorbehalten  
ALTERATIONS RESERVED  
MODIFICATIONS RESERVEES  
CON RISERVA DI MODIFICA



C	1124, 1125, 1126, 1127, 1128, 1129, 1130, 1131, 1132, 1133, 1134, 1135, 1137, 1139, 1144, 1146, 1164, 1148, 1151, 1153, 1155, 1159, 1161, 1163, 1165, 1166, 1167, 201, 204, 202, 205, 203, 206, 207, 208, 209, 211, 212, 213, 214, 215, 1307, 1311, 1314, 1317, 1321, 218, 222, 1326, 1329, 223, 1306, 216, 1308, 1312, 1315, 1318, 1322, 219, 1324, 1327, 1331, 224, 212, 213, 214, 215, 1169, 1171, 216, 1172, 217, 218, 219, 220, 221, 222, 223, 224, 225, 226, 227, 228, 229, 230, 231, 232, 233, 234, 235, 236, 237, 238, 239, 240, 241, 242, 243, 244, 245, 246, 247, 248, 249, 250, 251, 252, 253, 254, 255, 256, 257, 258, 259, 260, 261, 262, 263, 264, 265, 266, 267, 268, 269, 270, 271, 272, 273, 274, 275, 276, 277, 278, 279, 280, 281, 282, 283, 284, 285, 286, 287, 288, 289, 290, 291, 292, 293, 294, 295, 296, 297, 298, 299, 300, 301, 302, 303, 304, 305, 306, 307, 308, 309, 310, 311, 312, 313, 314, 315, 316, 317, 318, 319, 320, 321, 322, 323, 324, 325, 326, 327, 328, 329, 330, 331, 332, 333, 334, 335, 336, 337, 338, 339, 340, 341, 342, 343, 344, 345, 346, 347, 348, 349, 350, 351, 352, 353, 354, 355, 356, 357, 358, 359, 360, 361, 362, 363, 364, 365, 366, 367, 368, 369, 370, 371, 372, 373, 374, 375, 376, 377, 378, 379, 380, 381, 382, 383, 384, 385, 386, 387, 388, 389, 390, 391, 392, 393, 394, 395, 396, 397, 398, 399, 400, 401, 402, 403, 404, 405, 406, 407, 408, 409, 410, 411, 412, 413, 414, 415, 416, 417, 418, 419, 420, 421, 422, 423, 424, 425, 426, 427, 428, 429, 430, 431, 432, 433, 434, 435, 436, 437, 438, 439, 440, 441, 442, 443, 444, 445, 446, 447, 448, 449, 450, 451, 452, 453, 454, 455, 456, 457, 458, 459, 460, 461, 462, 463, 464, 465, 466, 467, 468, 469, 470, 471, 472, 473, 474, 475, 476, 477, 478, 479, 480, 481, 482, 483, 484, 485, 486, 487, 488, 489, 490, 491, 492, 493, 494, 495, 496, 497, 498, 499, 500, 501, 502, 503, 504, 505, 506, 507, 508, 509, 510, 511, 512, 513, 514, 515, 516, 517, 518, 519, 520, 521, 522, 523, 524, 525, 526, 527, 528, 529, 530, 531, 532, 533, 534, 535, 536, 537, 538, 539, 540, 541, 542, 543, 544, 545, 546, 547, 548, 549, 550, 551, 552, 553, 554, 555, 556, 557, 558, 559, 560, 561, 562, 563, 564, 565, 566, 567, 568, 569, 570, 571, 572, 573, 574, 575, 576, 577, 578, 579, 580, 581, 582, 583, 584, 585, 586, 587, 588, 589, 590, 591, 592, 593, 594, 595, 596, 597, 598, 599, 600, 601, 602, 603, 604, 605, 606, 607, 608, 609, 610, 611, 612, 613, 614, 615, 616, 617, 618, 619, 620, 621, 622, 623, 624, 625, 626, 627, 628, 629, 630, 631, 632, 633, 634, 635, 636, 637, 638, 639, 640, 641, 642, 643, 644, 645, 646, 647, 648, 649, 650, 651, 652, 653, 654, 655, 656, 657, 658, 659, 660, 661, 662, 663, 664, 665, 666, 667, 668, 669, 670, 671, 672, 673, 674, 675, 676, 677, 678, 679, 680, 681, 682, 683, 684, 685, 686, 687, 688, 689, 690, 691, 692, 693, 694, 695, 696, 697, 698, 699, 700, 701, 702, 703, 704, 705, 706, 707, 708, 709, 710, 711, 712, 713, 714, 715, 716, 717, 718, 719, 720, 721, 722, 723, 724, 725, 726, 727, 728, 729, 730, 731, 732, 733, 734, 735, 736, 737, 738, 739, 740, 741, 742, 743, 744, 745, 746, 747, 748, 749, 750, 751, 752, 753, 754, 755, 756, 757, 758, 759, 760, 761, 762, 763, 764, 765, 766, 767, 768, 769, 770, 771, 772, 773, 774, 775, 776, 777, 778, 779, 780, 781, 782, 783, 784, 785, 786, 787, 788, 789, 790, 791, 792, 793, 794, 795, 796, 797, 798, 799, 800, 801, 802, 803, 804, 805, 806, 807, 808, 809, 810, 811, 812, 813, 814, 815, 816, 817, 818, 819, 820, 821, 822, 823, 824, 825, 826, 827, 828, 829, 830, 831, 832, 833, 834, 835, 836, 837, 838, 839, 840, 841, 842, 843, 844, 845, 846, 847, 848, 849, 850, 851, 852, 853, 854, 855, 856, 857, 858, 859, 860, 861, 862, 863, 864, 865, 866, 867, 868, 869, 870, 871, 872, 873, 874, 875, 876, 877, 878, 879, 880, 881, 882, 883, 884, 885, 886, 887, 888, 889, 890, 891, 892, 893, 894, 895, 896, 897, 898, 899, 900, 901, 902, 903, 904, 905, 906, 907, 908, 909, 910, 911, 912, 913, 914, 915, 916, 917, 918, 919, 920, 921, 922, 923, 924, 925, 926, 927, 928, 929, 930, 931, 932, 933, 934, 935, 936, 937, 938, 939, 940, 941, 942, 943, 944, 945, 946, 947, 948, 949, 950, 951, 952, 953, 954, 955, 956, 957, 958, 959, 960, 961, 962, 963, 964, 965, 966, 967, 968, 969, 970, 971, 972, 973, 974, 975, 976, 977, 978, 979, 980, 981, 982, 983, 984, 985, 986, 987, 988, 989, 990, 991, 992, 993, 994, 995, 996, 997, 998, 999, 1000
R	1254, 1258, 1259, 1263, 1264, 1268, 1271, 1274, 1277, 1281, 1284, 1287, 1291, 1294, 1295, 1298, 1302, 1255, 1261, 1265, 1269, 1272, 1275, 1278, 1282, 1285, 1288, 1292, 1296, 1299, 1303, 202, 205, 206, 208, 211, 213, 215, 1307, 1311, 1314, 1317, 1321, 218, 222, 1326, 1329, 223, 1306, 216, 1308, 1312, 1315, 1318, 1322, 219, 1324, 1327, 1331, 224, 212, 213, 214, 215, 1169, 1171, 216, 1172, 217, 218, 219, 220, 221, 222, 223, 224, 225, 226, 227, 228, 229, 230, 231, 232, 233, 234, 235, 236, 237, 238, 239, 240, 241, 242, 243, 244, 245, 246, 247, 248, 249, 250, 251, 252, 253, 254, 255, 256, 257, 258, 259, 260, 261, 262, 263, 264, 265, 266, 267, 268, 269, 270, 271, 272, 273, 274, 275, 276, 277, 278, 279, 280, 281, 282, 283, 284, 285, 286, 287, 288, 289, 290, 291, 292, 293, 294, 295, 296, 297, 298, 299, 300, 301, 302, 303, 304, 305, 306, 307, 308, 309, 310, 311, 312, 313, 314, 315, 316, 317, 318, 319, 320, 321, 322, 323, 324, 325, 326, 327, 328, 329, 330, 331, 332, 333, 334, 335, 336, 337, 338, 339, 340, 341, 342, 343, 344, 345, 346, 347, 348, 349, 350, 351, 352, 353, 354, 355, 356, 357, 358, 359, 360, 361, 362, 363, 364, 365, 366, 367, 368, 369, 370, 371, 372, 373, 374, 375, 376, 377, 378, 379, 380, 381, 382, 383, 384, 385, 386, 387, 388, 389, 390, 391, 392, 393, 394, 395, 396, 397, 398, 399, 400, 401, 402, 403, 404, 405, 406, 407, 408, 409, 410, 411, 412, 413, 414, 415, 416, 417, 418, 419, 420, 421, 422, 423, 424, 425, 426, 427, 428, 429, 430, 431, 432, 433, 434, 435, 436, 437, 438, 439, 440, 441, 442, 443, 444, 445, 446, 447, 448, 449, 450, 451, 452, 453, 454, 455, 456, 457, 458, 459, 460, 461, 462, 463, 464, 465, 466, 467, 468, 469, 470, 471, 472, 473, 474, 475, 476, 477, 478, 479, 480, 481, 482, 483, 484, 485, 486, 487, 488, 489, 490, 491, 492, 493, 494, 495, 496, 497, 498, 499, 500, 501, 502, 503, 504, 505, 506, 507, 508, 509, 510, 511, 512, 513, 514, 515, 516, 517, 518, 519, 520, 521, 522, 523, 524, 525, 526, 527, 528, 529, 530, 531, 532, 533, 534, 535, 536, 537, 538, 539, 540, 541, 542, 543, 544, 545, 546, 547, 548, 549, 550, 551, 552, 553, 554, 555, 556, 557, 558, 559, 560, 561, 562, 563, 564, 565, 566, 567, 568, 569, 570, 571, 572, 573, 574, 575, 576, 577, 578, 579, 580, 581, 582, 583, 584, 585, 586, 587, 588, 589, 590, 591, 592, 593, 594, 595, 596, 597, 598, 599, 600, 601, 602, 603, 604, 605, 606, 607, 608, 609, 610, 611, 612, 613, 614, 615, 616, 617, 618, 619, 620, 621, 622, 623, 624, 625, 626, 627, 628, 629, 630, 631, 632, 633, 634, 635, 636, 637, 638, 639, 640, 641, 642, 643, 644, 645, 646, 647, 648, 649, 650, 651, 652, 653, 654, 655, 656, 657, 658, 659, 660, 661, 662, 663, 664, 665, 666, 667, 668, 669, 670, 671, 672, 673, 674, 675, 676, 677, 678, 679, 680, 681, 682, 683, 684, 685, 686, 687, 688, 689, 690, 691, 692, 693, 694, 695, 696, 697, 698, 699, 700, 701, 702, 703, 704, 705, 706, 707, 708, 709, 710, 711, 712, 713, 714, 715, 716, 717, 718, 719, 720, 721, 722, 723, 724, 725, 726, 727, 728, 729, 730, 731, 732, 733, 734, 735, 736, 737, 738, 739, 740, 741, 742, 743, 744, 745, 746, 747, 748, 749, 750, 751, 752, 753, 754, 755, 756, 757, 758, 759, 760, 761, 762, 763, 764, 765, 766, 767, 768, 769, 770, 771, 772, 773, 774, 775, 776, 777, 778, 779, 780, 781, 782, 783, 784, 785, 786, 787, 788, 789, 790, 791, 792, 793, 794, 795, 796, 797, 798, 799, 800, 801, 802, 803, 804, 805, 806, 807, 808, 809, 810, 811, 812, 813, 814, 815, 816, 817, 818, 819, 820, 821, 822, 823, 824, 825, 826, 827, 828, 829, 830, 831, 832, 833, 834, 835, 836, 837, 838, 839, 840, 841, 842, 843, 844, 845, 846, 847, 848, 849, 850, 851, 852, 853, 854, 855, 856, 857, 858, 859, 860, 861, 862, 863, 864, 865, 866, 867, 868, 869, 870, 871, 872, 873, 874, 875, 876, 877, 878, 879, 880, 881, 882, 883, 884, 885, 886, 887, 888, 889, 890, 891, 892, 893, 894, 895, 896, 897, 898, 899, 900, 901, 902, 903, 904, 905, 906, 907, 908, 909, 910, 911, 912, 913, 914, 915, 916, 917, 918, 919, 920, 921, 922, 923, 924, 925, 926, 927, 928, 929, 930, 931, 932, 933, 934, 935, 936, 937, 938, 939, 940, 941, 942, 943, 944, 945, 946, 947, 948, 949, 950, 951, 952, 953, 954, 955, 956, 957, 958, 959, 960, 961, 962, 963, 964, 965, 966, 967, 968, 969, 970, 971, 972, 973, 974, 975, 976, 977, 978, 979, 980, 981, 982, 983, 984, 985, 986, 987, 988, 989, 990, 991, 992, 993, 994, 995, 996, 997, 998, 999, 1000

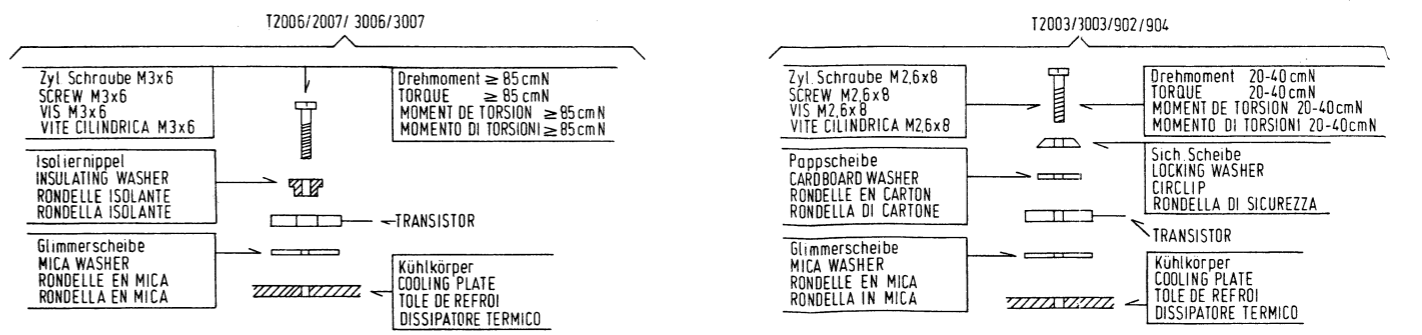
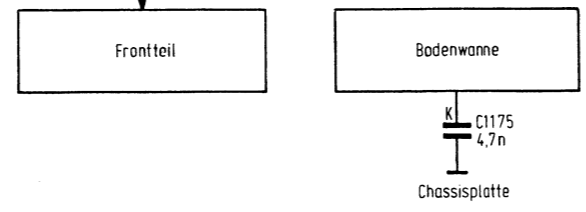
(A) Chassisplatte  
CHASSIS BOARD  
PLAQUE CHASSIS  
PIASTRA CHASSIS 59311-012.10



0V = Gerät laut / SET LOUD /  
 APPAREIL EN HAUTE PUISSANCE / APPARECCHIO CON VOLUME AL MASSIMO  
 > 10V = Gerät stumm / SET MUTE /  
 APPAREIL SILENCIEUX / APPARECCHIO SILENZIATO

(F) 59311-014.00  
 (A) Chassisplatte  
 CHASSIS BOARD  
 PLAQUE CHASSIS  
 PIASTRA CHASSIS  
 59311-012.00

Montageanleitung für Transistoren./ MOUNTING INSTRUCTIONS FOR TRANSISTORS./ INSTRUCTIONS DE MONTAGE POUR LES TRANSISTORS./ ISTRUZIONI DI MONTAGGIO PER DEI TRANSISTORI:

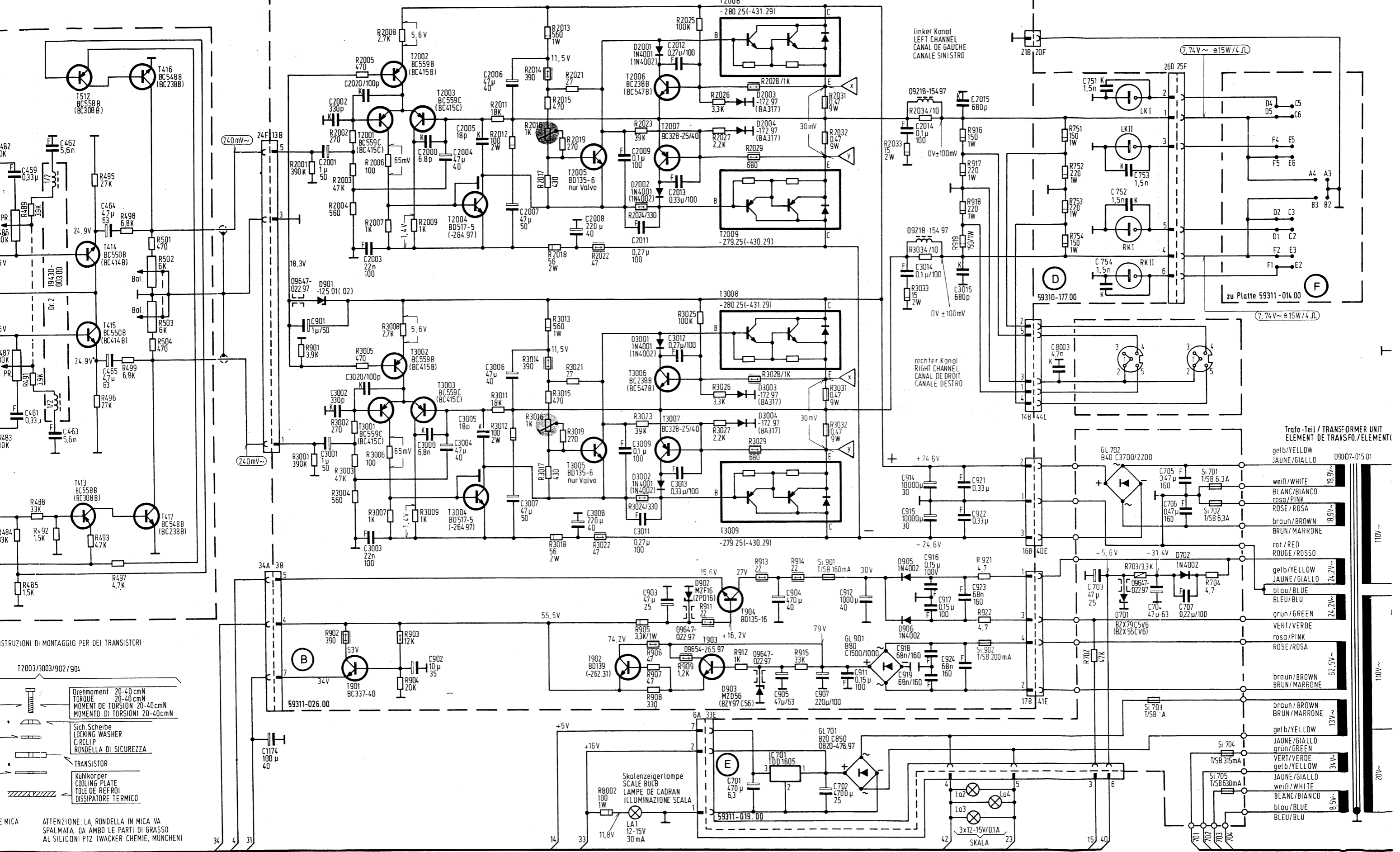


Achtung: Glimmerscheibe beidseitig mit Siliconfett P12 bestreichen. (Wacker-Chemie, München)  
 IMPORTANT: SMEAR MICA WASHER AT BOTH SIDES WITH SILICON GRESE P12. (WACKER-CHEMIE, MUNCHEN!)

IMPORTANT: GRAISSER LA RONDELLE DE MICA AVEC DE LA GRAISSE P12. (WACKER-CHEMIE, MUNCHEN)

ATTENZIONE: LA RONDELLE IN MICA VA SPALMATO DA AMBO LE PARTI DI GRASSO AL SILICONI P12 (WACKER CHEMIE, MUNCHEN)

401.	404.	406.	408,409.	412.	414.	416.	418.	421.	425,427,429.	1175.	432.	434.	435,437.	439.	442.	444.	448,451,453.	455.	459.	462.	464.						
402.	405.	407.	411.	413.	415.	417.	419.	422.	426,428,431.		433.	436.	438.	441.	443.	445.	449,452,454.	456.	461.	463.	465.						
403.				1173.					423,424.				446,447.				457,458.										
342.	1343, 1345, 1347.	401, 405	408,413, 415.	417, 419.	421.	420.	423.	427.	429.	434.	436.	438.	439, 444.	446.	448, 451.	453, 456, 459.	462.	464.	468.	471.	475, 477.	482.	484, 486, 488.	492.	493, 495.	497, 498.	501.
234.	1344, 1346.	402, 406.	409, 414, 416.	418.	422.		424.	428.	431.	435.	437.	441, 445.	447.	449, 452.	454, 457, 461.	463.	465, 469.	472.	476, 478.	483.	485, 487, 489.	496.	499.	502.			
235.		404, 403, 407.	411, 412.				425, 426.	432, 433.				442, 443.	447.	455, 458.	466, 467.	473, 474.	479, 481.				491.						503, 504.



ISTRUZIONI DI MONTAGGIO PER DEI TRANSISTORI:

T2003/3003/902/904

Drehmoment 20-40 cmN  
TORQUE 20-40 cmN  
MOMENT DE TORSION 20-40 cmN  
MOMENTO DI TORSIONI 20-40 cmN

Sich Scheibe  
LOCKING WASHER  
CIRCLIP  
RONDELLA DI SICUREZZA

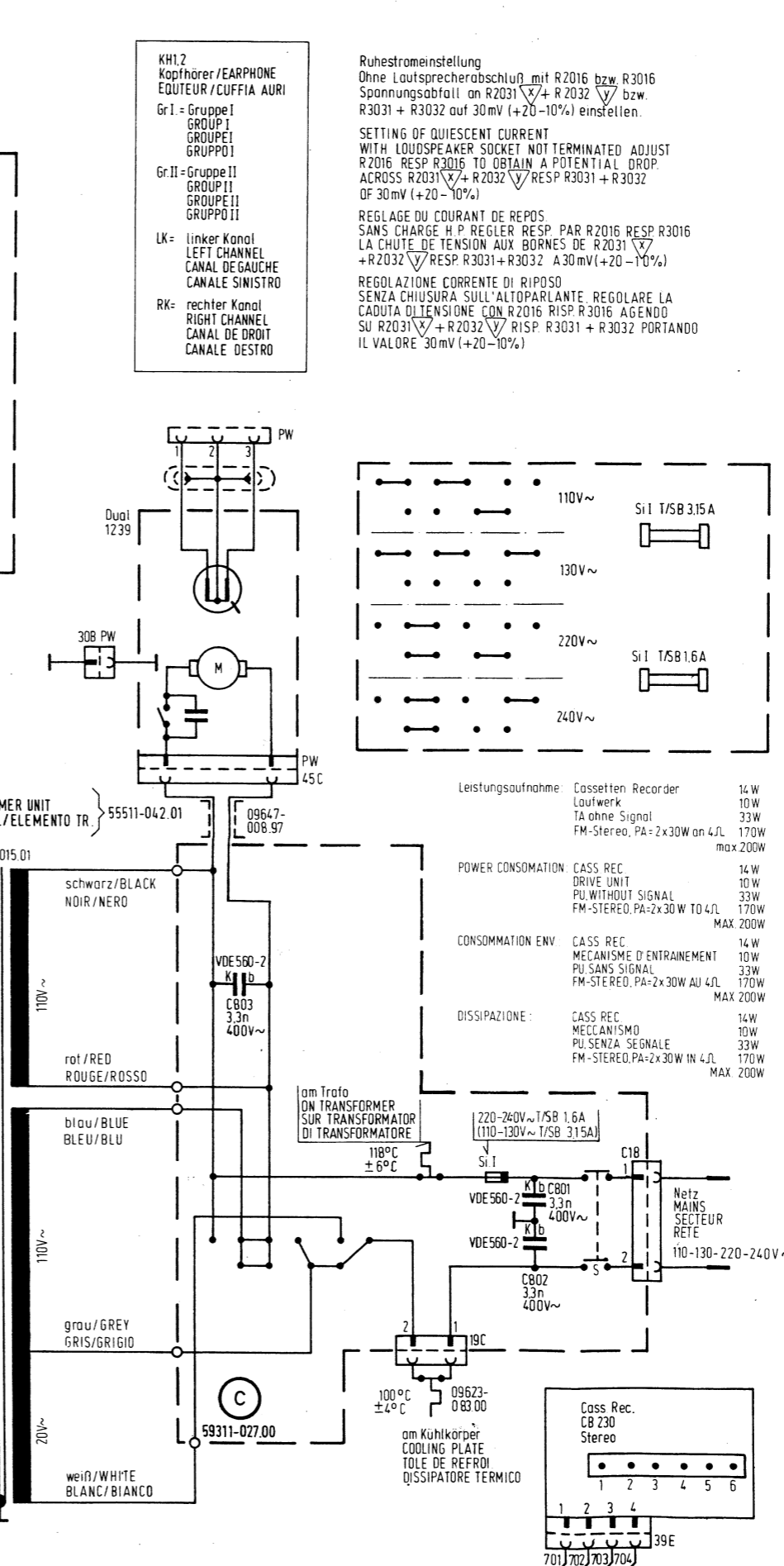
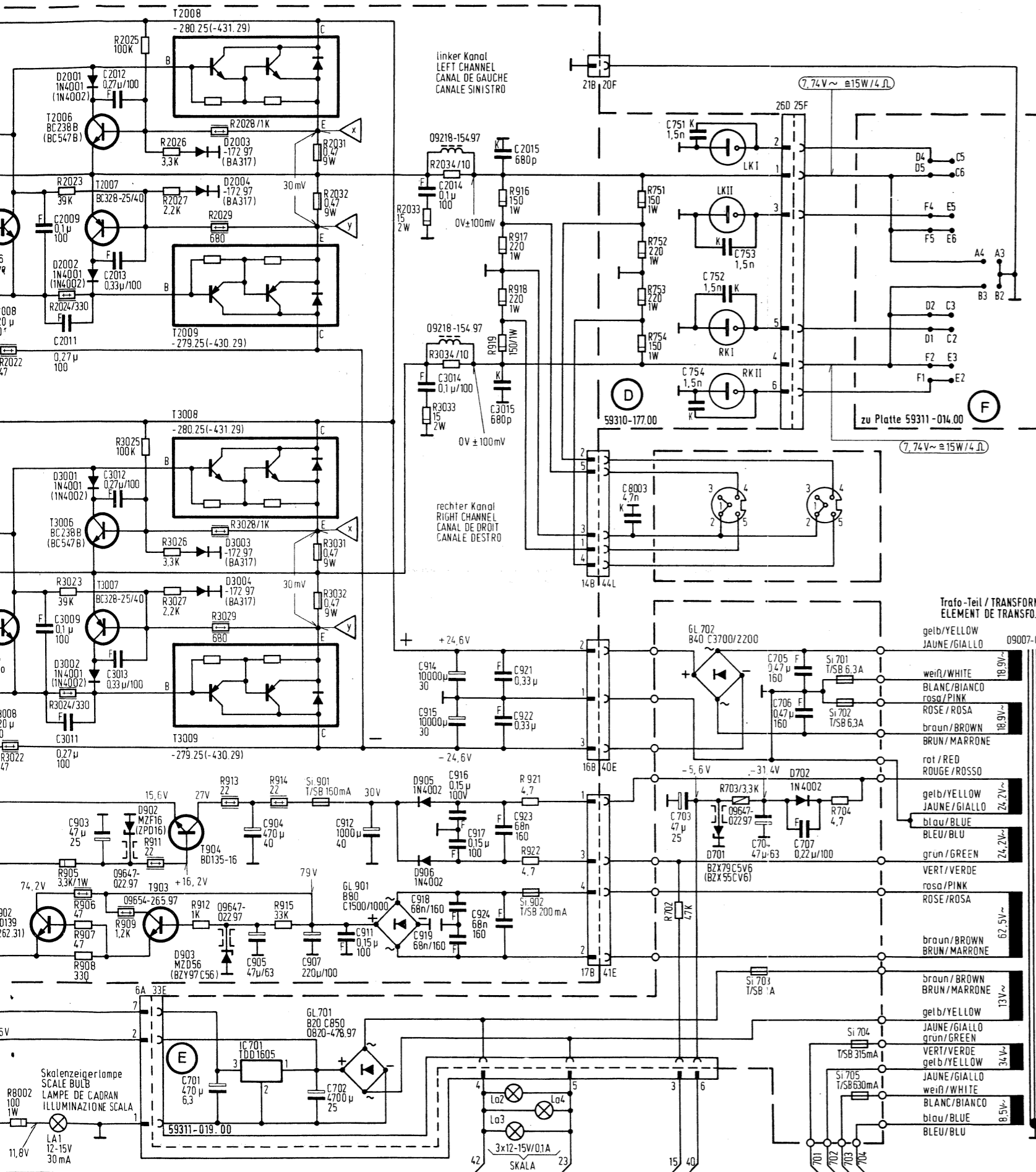
TRANSISTOR

Kühkörper  
COOLING PLATE  
TOLE DE REFROID  
DISSIPATORE TERMICO

ATTENZIONE: LA RONDELLA IN MICA VA SPALMATATA DA AMBO LE PARTI DI GRASSO AL SILICONI P12 (WACKER CHEMIE, MÜNCHEN)

459, 461,	462, 463,	464, 465,	1174,	901, 2001, 2002, 3001, 3002,	2020, 2003, 3020, 3003,	902, 2000, 2004, 3000, 3004,	2005, 3005,	2006, 3006,	2007, 3007,	2008, 3008,	2009, 3009,	2010, 3010,	903, 2012, 3012, 3013,	701, 904, 905,	907, 702,	911, 912,	2014, 914, 917, 3014, 915, 918, 916, 919,	2015, 922, 3015, 923, 919, 921, 924,	8003, 703,	704, 705, 706, 707,
482, 483,	484, 485, 486, 487, 488, 489, 491,	492, 493, 495, 496,	497, 498, 499, 502, 503, 504,	901, 2001, 3001,	902, 2002, 3002, 2003, 3003, 2004, 3004,	2005, 3005, 2006, 3006, 2007, 3007, 2008, 3008, 2009, 3009,	2010, 3010,	2011, 3011,	2012, 3012,	2013, 3013, 2016, 3016, 2019, 3019, 2021, 3021, 2022, 3022, 2023, 3023, 2024, 3024, 2025, 3025, 2026, 3026, 2027, 3027, 2028, 3028, 2029, 3029, 2030, 3030,	2031, 3031,	2032, 3032,	906, 909, 2025, 3025, 2026, 3026, 2027, 3027, 2028, 3028, 2029, 3029, 2030, 3030,	914, 2031, 915, 2032, 3031, 3032,	2033, 3033, 2034, 3034,	916, 919, 921, 922, 917, 921, 918, 922,	751, 752, 753, 754,	702, 703,	704,	





KH1.2  
Kopfhörer/EARPHONE  
ÉCOUTEUR/CUFFIA AURI

Gr.I = Gruppe I  
GROUP I  
GROUPE I  
GRUPPO I

Gr.II = Gruppe II  
GROUP II  
GROUPE II  
GRUPPO II

LK = linker Kanal  
LEFT CHANNEL  
CANAL DE GAUCHE  
CANALE SINISTRO

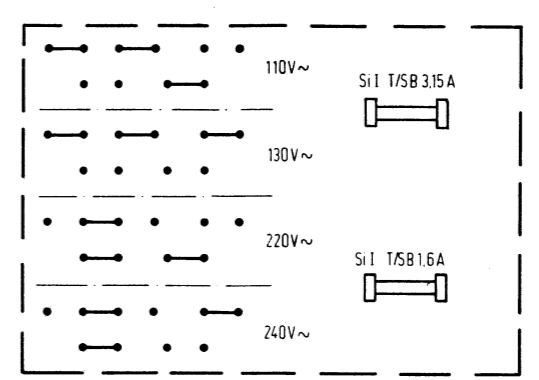
RK = rechter Kanal  
RIGHT CHANNEL  
CANAL DE DROIT  
CANALE DESTRO

RuhestromEinstellung  
Ohne Lautsprecherabschluß mit R2016 bzw. R3016  
Spannungsabfall an R2031 + R2032 bzw.  
R3031 + R3032 auf 30mV (+20-10%) einstellen.

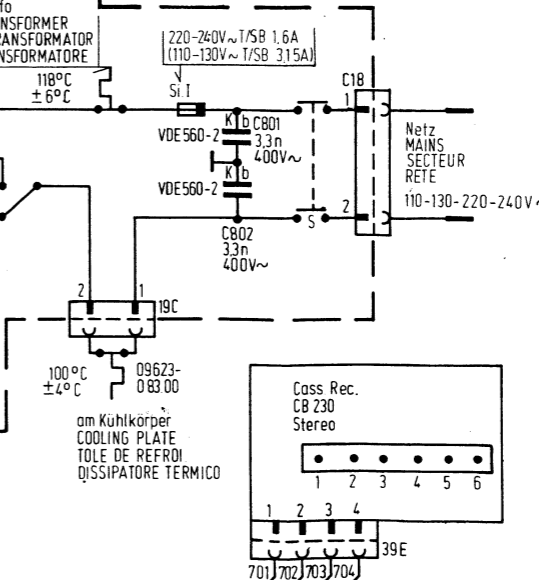
SETTING OF QUIESCIENT CURRENT  
WITH LOUSPEAKER SOCKET NOT TERMINATED ADJUST  
R2016 RESP R3016 TO OBTAIN A POTENTIAL DROP  
ACROSS R2031 + R2032 / RESP R3031 + R3032  
OF 30mV (+20-10%)

REGLAGE DU COURANT DE REPOS  
SANS CHARGE H.P. REGLER RESP. PAR R2016 RESP R3016  
LA CHUTE DE TENSION AUX BORNES DE R2031  
+ R2032 / RESP R3031 + R3032 A 30mV (+20-10%)

REGOLAZIONE CORRENTE DI RIPOSO  
SENZA CHIUSURA SULL'ALTOPARLANTE, REGOLARE LA  
CADUTA DI TENSIONE CON R2016 RISP. R3016 AGENDO  
SU R2031 + R2032 / RISP. R3031 + R3032 PORTANDO  
IL VALORE 30mV (+20-10%)



Leistungsaufnahme	Cassetten Recorder	14 W
	Lautwerk	10 W
	TA ohne Signal	33 W
	FM-Stereo, PA=2x30W an 4ΩL	170 W
		max 200W
POWER CONSUMATION	CASS REC	14 W
	DRIVE UNIT	10 W
	PU WITHOUT SIGNAL	33 W
	FM-STEREO, PA=2x30W TO 4ΩL	170 W
		MAX 200W
CONSUMATION ENV	CASS REC	14 W
	MECANISME D'ENTRAINEMENT	10 W
	PU SANS SIGNAL	33 W
	FM-STEREO, PA=2x30W AU 4ΩL	170 W
		MAX 200W
DISSIPAZIONE	CASS REC	14 W
	MECCANISMO	10 W
	PU SENZA SEGNALE	33 W
	FM-STEREO, PA=2x30W IN 4ΩL	170 W
		MAX 200W



2009, 2011, 3009, 3011,	903, 2012, 3013, 3012,3013,	701,	904, 905,	907, 702,	911, 912,	2014, 914, 917, 3014, 915, 918, 916, 919,	2015, 922, 3015, 923, 921, 924,	8003, 703,	704,	705, 706, 707,	803,	801, 802,	C
2019, 2021, 3021, 3022, 3023, 3024, 3025, 3027, 909,	909, 3025, 3027, 912, 3029, 911, 3026, 3029,	906, 907, 908,	914, 915,	2031, 2032, 3031,3032,	2033, 2034, 916, 919, 917, 921, 918, 922,	751, 702, 703, 704,	752, 753, 754,						R